

Rīga

03.06.2021

Our Ref: 1.13p/LV-2021-204

Electronic Procurement System

***Answer to question from the interested supplier
in the competitive procedure with negotiations
“Consolidated supply of multi-ducts, cable ducts, manholes and cable channels for
construction of Rail Baltica railway line”,
identification number RBR 2021/1***

RB Rail AS presents following answer to the question received from the interested supplier until 3 June 2021:

| Nr. | Question | Answer |
|-----|---|--|
| 1. | Is it possible to get drawings for Lot No 3 and No 4? | Procurement Commission for Stage One of this Competition can provide you with preliminary drawings for informative purposes in order to understand main dimensions of the materials required under Lot No 3 and No 4 (please see annex No 1 to this letter). Please note that detailed information regarding procured materials and technical parameters will be provided for selected candidates in Invitation to submit bid for Stage Two of this Competition. |

Annex: Conceptual drawings of Lot No.3 and Lot No 4 on 2 (two) pages.

Procurement Commission Chairman

M.Blaus

THIS DOCUMENT IS SIGNED ELECTRONICALLY WITH A SAFE ELECTRONIC SIGNATURE AND
CONTAINS A TIME STAMP

Conceptual drawings of Lot No.3 and Lot No 4.

Drawing are extracted from: *DOKUMENTO ŽYMUO / DOCUMENT MARK RBDT RBDTDLTDS1DPS2-01_01-TP-SGK-03_01_AR RBDTD-LT-DS1-DPS2_IDO_RW6610-ZZ_ZZZZ_RP_RW-SGK_MD_00005* for reply on candidates question: *Is it possible to get drawings for Lot No 3 and No 4?*

Conceptual drawings of requested lots are listed below:

1. Drawings of Lot No.3 - Consolidated supply of precast concrete manholes.

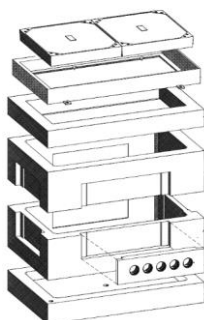


Figure 1. Manhole elements.

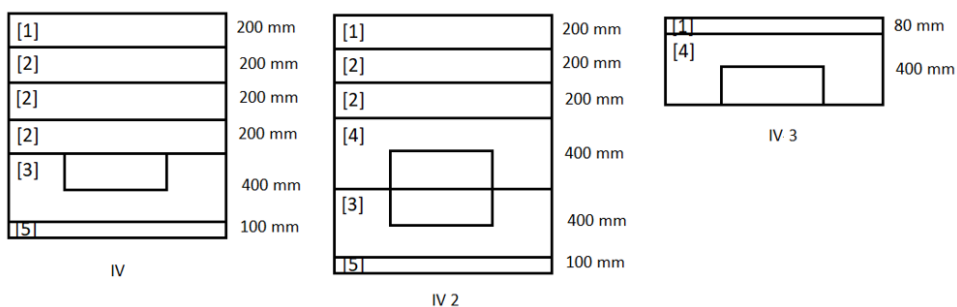


Figure 2. Manholes IV configuration.

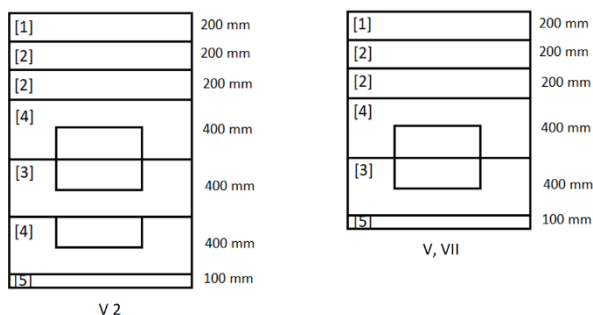


Figure 3. Manholes V and VII configuration.

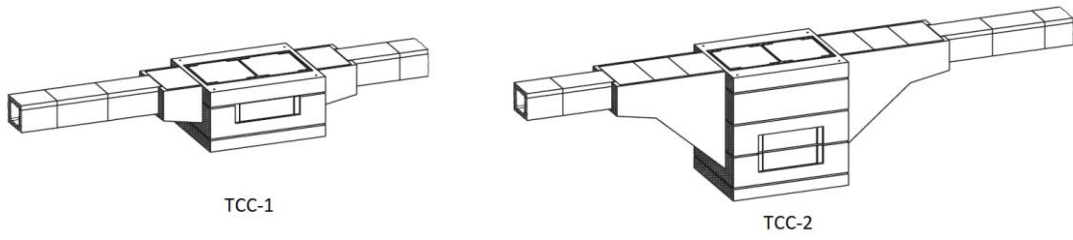


Figure 4. Transition to cable channel

1. Drawings of Lot No 4 - Consolidated supply of precast concrete surface cable channels

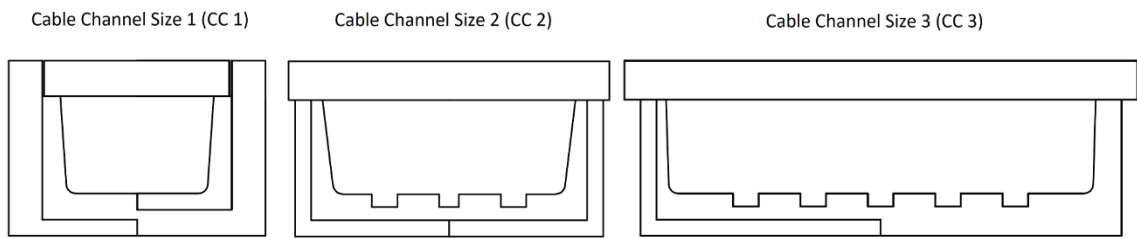


Figure 5. Cable channels configuration.